

35kV—500kV电力变压器

35KV-500KV POWER TRANSFORMER

产品概述

Product Overview

35kV-500kV系列液浸式电力变压器是在消化国内外先进技术的基础上通过优化创新,采用先进的设计软件对变压器电、磁、热、机械强度及短路强度进行研究和设计,具有低噪声、低损耗、低局放、高抗短路能力的系列电力变压器。

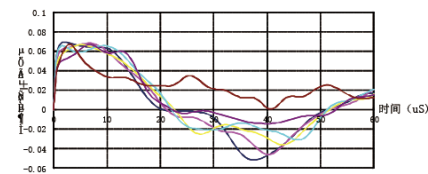
35-500kV series oil immersed power transformer has optimized design using advanced technologies, in order to offer low noise, low loss, low partial discharge, high short circuit withstand capability. Advance design software are used for electromagnetic calculation and design of transformer, while 3-D, 2-D CAD software for structural design ensure sufficient safety margin during short circuit period. This is based on in-depth theoretical and experimental studies on magnetic, thermal, mechanical strength and short circuit strength. To ensure reliability of the transformer, the insulation are decided based on calculation on main and vertical insulations. The accurate calculation of the electric field distribution in inner coils will ensure voltage gradient and at coil end it will ensure low partial discharge.

产品特点

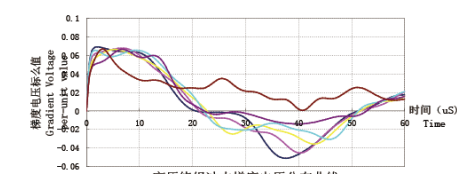
Product Features

1、采用计算机软件进行冲击电位分布及梯度电位分布计算,计算出线圈内各部位之间、线圈与线圈之间、线圈对地之间等的电位分布,从而有效地改善各点电位分布。

1、 Potential distribution is effectively improved by application of software to calculate the impact and gradient potential distribution. The potential calculation is also done between various parts of the coil including between the coil and coil and earthing.



高压绕组冲击梯度电压分布曲线



高压绕组冲击梯度电压分布曲线
Distribution curve of HV winding's impact gradient voltage distribution

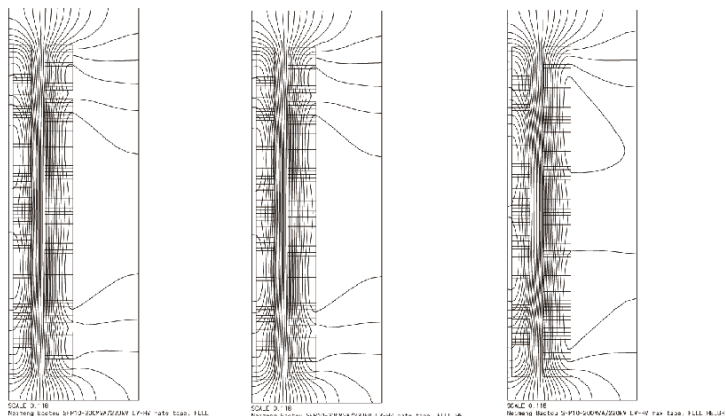
2、低损耗

采用漏磁计算,采取有效措施降低杂散损耗,同时也有效地防止局部过热,降低绕组热点温升;采用电磁优化设计软件,优化铁心和绕组设计。

2、 Low loss

Correctly control the radiation of leakage flux into various parts of transformer on the base of calculation of the magnetic flux leakage in order to adopt corresponding measures to effectively reduce the stray loss, and in the mean time effectively prevent local overheating to control equilibrium temperature rise, lower temperature rise of winding hot spots.

Application of electromagnetic optimizing design software to optimize the design of core and winding.

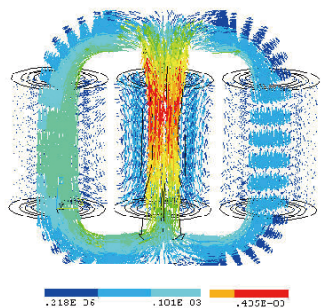


3、高抗短路能力

通过变压器抗短路能力核算软件，对高压绕组和低压绕组进行设计，高压绕组为中部出线、上下两路并联，设置轴向油道；调压绕组为高压绕组外侧中部进线上、下两路并联；提高变压器的抗短路能力。

3、High resistance to short-circuit capacity

Apply transformer resistance to short-circuit capacity accounting software to design HV winding and LV winding. HV winding will be designed as central outlet, up and down parallel connection with axial oil path; the regulating winding will be designed as central outlet in the middle of HV winding with up and down parallel connection to improve transformer short-circuit resistance.

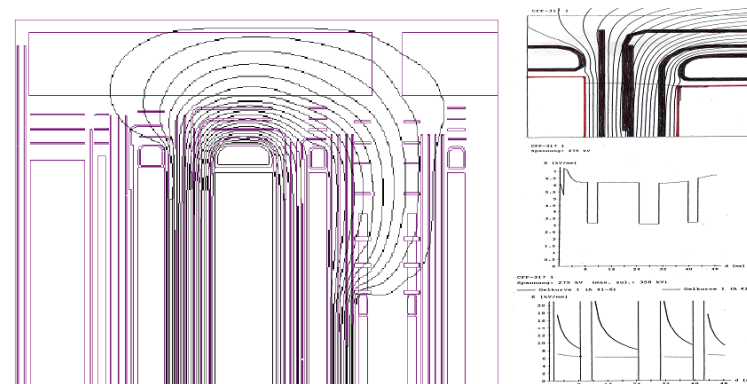
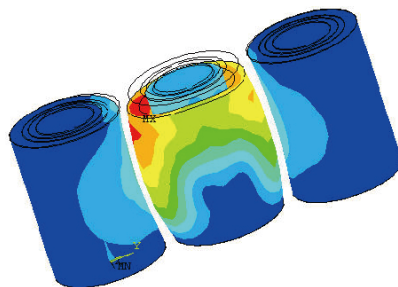


4、低局放，提高使用寿命

- 1) 对电场进行解析计算，改善电场集中的区域。
- 2) 真空注油，有效防止在绝缘件及变压器内部形成气泡来降低局放。

4、Low partial discharge, extend transformer service life.

- 1)、Analytical calculation of electric field to improve the electric field concentrated region.
- 2)、The way of vacuum oil filling, effectively prevention of formation of air bubbles inside the transformer and insulation parts to reduce partial discharge.



5、低噪声

选用优质铁心材料、选择合适的磁通密度与铁心的自振频率、采用高抗短路强度的器身结构、改进油箱与器身的连接方式等来降低噪声。

5、Low noise

Lower the noise level by choosing high quality steel core material; right flux density and the self-vibration frequency of the core; application of high resistance to short-circuit of the body structure; and improving the connection method of tank and active part.

6、低温升

进行油流分布计算，采用合理油流分布结构，降低绕组最热点温升和平均温升，使各部位提高过负荷能力，延长变压器使用寿命。

6、Low temperature rise

Apply reasonable oil flow distribution structure by calculation of oil flow distribution; reduce the winding hot spot temperature rise and the average temperature rise in order to increase overload capacity of each part, extend the life of transformers.

质量保证

Quality Warranty

- 2002年5月，SZ9-40MVA/110kV顺利通过国家变压器质量检测中心突发短路试验
- 2003年8月，SZ10-31500/220kV顺利通过国家变压器质量监督检验中心监视试验
- 2007年3月，SFP10-200000/220kV顺利通过国家变压器质量监督检验中心监视试验
- 2007年12月，SSZ11-50000/110kV顺利通过国家变压器质量监督检验中心和荷兰KEMA监视的突发短路试验

In May 2002, SZ9-40MVA/110kV transformer successfully passed the dynamic short-circuit test carried out at National Transformer Quality Supervision and Inspection Center.

In August 2003, SZ10-31500/220kV transformer successfully passed witnessed tests carried out at National Transformer Quality Supervision and Inspection Center.

In March 2007, SFP10-200000/220kV transformer successfully passed witnessed tests carried out at National Transformer Quality Supervision and Inspection Center.

In December 2007, SSZ11-50000/110kV transformer successfully passed the dynamic short-circuit test carried out at National Transformer Quality Supervision and Inspection Center and witnessed by KEMA, Netherlands.

- 2008年7月, SFPSZ11-180000/220kV顺利通过国家变压器质量监督检验中心监视试验
- 2008年8月, SFPSZ11-180000/220kV顺利通过国家变压器质量监督检验中心和荷兰KEMA监视的突发短路试验
- 2010年1月, SSZ11-180000/220kV顺利通过机械工业变压器产品质量监督检验中心监视试验
- 2010年9月, SSZ11-180000/220kV顺利通过国家变压器质量监督检验中心和沈阳变压器研究院有限公司变压器实验室监视试验
- 2014年2月, SFSZ11-H-180000/220kV顺利通过国家变压器质量监督检验中心和沈阳变压器研究院股份有限公司变压器实验室监视试验
- 2014年9月, SFZ-178000/330kV顺利通过国家变压器质量检验中心突发短路试验
- 2015年10月, SSZ11-500000/110kV顺利通过电力工业电力设备及仪表质量检验测试中心监视试验

In July 2008, SFPSZ11-180000/220kV transformer successfully passed witnessed tests carried out at National Transformer Quality Supervision and Inspection Center.

In August 2008, SFPSZ11-180000/220kV transformer successfully passed the dynamic short-circuit test carried out at National Transformer Quality Supervision and Inspection Center and witnessed by KEMA, Netherlands.

In January 2010, SSZ11-180000/220kV transformer successfully passed witnessed tests carried out at Machinery Industry Transformer Product Quality Supervision and Inspection Center.

In September 2010, SSZ11-180000/220kV transformer successfully passed witnessed tests carried out at National Transformer Quality Supervision and Inspection Center and Shenyang Transformer Institute Co., Ltd. Transformer Laboratory.

In February 2014, SFSZ11-H-180000/220kV transformer successfully passed witnessed tests carried out at National Transformer Quality Supervision and Inspection Center and Shenyang Transformer Institute Co., Ltd. Transformer Laboratory.

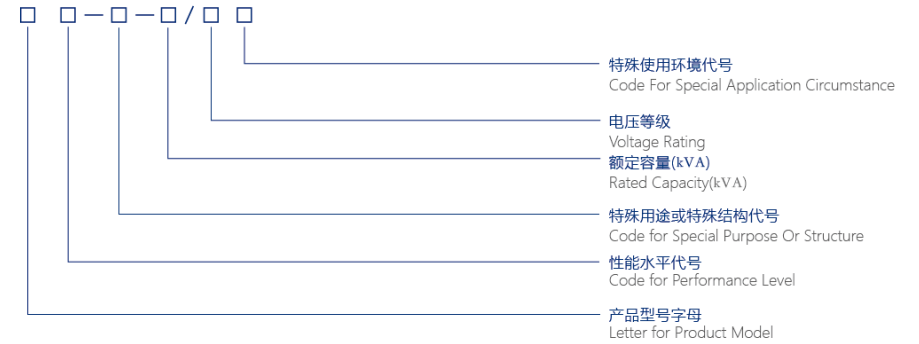
In September 2014, SFZ-178000/330kV transformer successfully passed the dynamic short-circuit test carried out at National Transformer Quality Supervision and Inspection Center.

In October 2015, SSZ11-500000/110kV transformer successfully passed witnessed tests carried out at Power Industry Power Equipment and Instrument Quality Inspection and Testing Center.



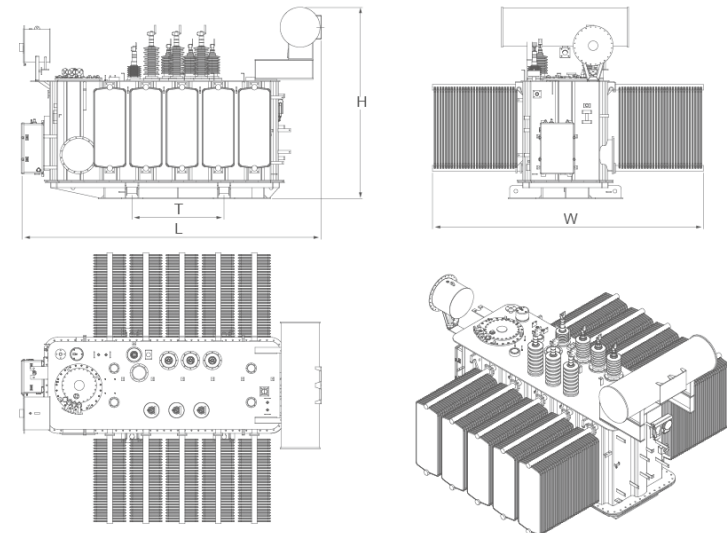
型号说明

Model Coding



结构图

Outline Drawing



35kV变压器
35kV Transformer

- 2008年7月, SFPSZ11-180000/220kV顺利通过国家变压器质量监督检验中心监视试验
- 2008年8月, SFPSZ11-180000/220kV顺利通过国家变压器质量监督检验中心和荷兰KEMA监视的突发短路试验
- 2010年1月, SSZ11-180000/220kV顺利通过机械工业变压器产品质量监督检验中心监视试验
- 2010年9月, SSZ11-180000/220kV顺利通过国家变压器质量监督检验中心和沈阳变压器研究院有限公司变压器实验室监视试验
- 2014年2月, SFSZ11-H-180000/220kV顺利通过国家变压器质量监督检验中心和沈阳变压器研究院股份有限公司变压器实验室监视试验
- 2014年9月, SFZ-178000/330kV顺利通过国家变压器质量检验中心突发短路试验
- 2015年10月, SSZ11-500000/110kV顺利通过电力工业电力设备及仪表质量检验测试中心监视试验

In July 2008, SFPSZ11-180000/220kV transformer successfully passed witnessed tests carried out at National Transformer Quality Supervision and Inspection Center.

In August 2008, SFPSZ11-180000/220kV transformer successfully passed the dynamic short-circuit test carried out at National Transformer Quality Supervision and Inspection Center and witnessed by KEMA, Netherlands.

In January 2010, SSZ11-180000/220kV transformer successfully passed witnessed tests carried out at Machinery Industry Transformer Product Quality Supervision and Inspection Center.

In September 2010, SSZ11-180000/220kV transformer successfully passed witnessed tests carried out at National Transformer Quality Supervision and Inspection Center and Shenyang Transformer Institute Co., Ltd. Transformer Laboratory.

In February 2014, SFSZ11-H-180000/220kV transformer successfully passed witnessed tests carried out at National Transformer Quality Supervision and Inspection Center and Shenyang Transformer Institute Co., Ltd. Transformer Laboratory.

In September 2014, SFZ-178000/330kV transformer successfully passed the dynamic short-circuit test carried out at National Transformer Quality Supervision and Inspection Center.

In October 2015, SSZ11-500000/110kV transformer successfully passed witnessed tests carried out at Power Industry Power Equipment and Instrument Quality Inspection and Testing Center.



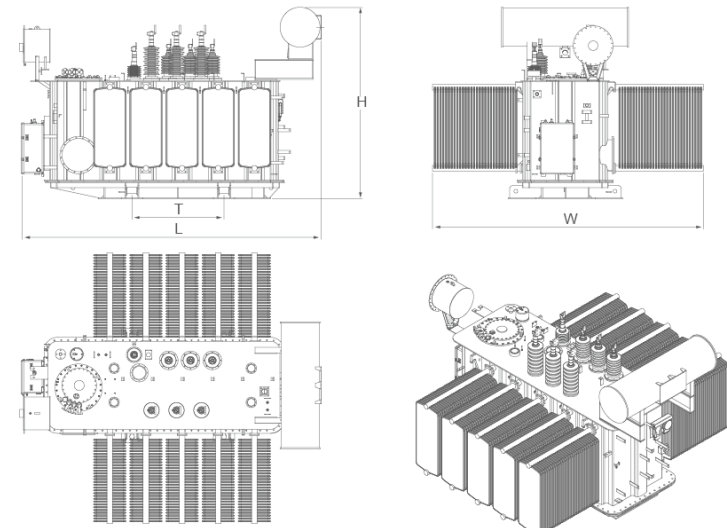
型号说明

Model Coding



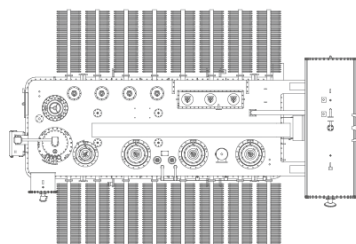
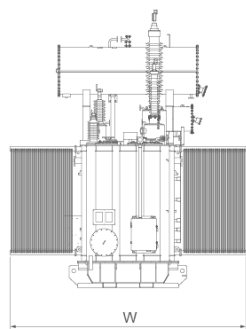
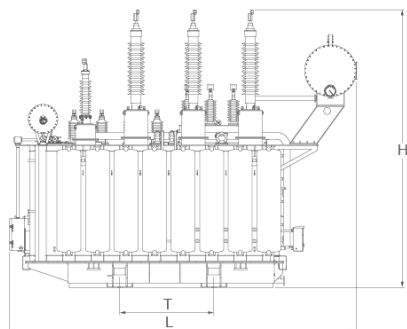
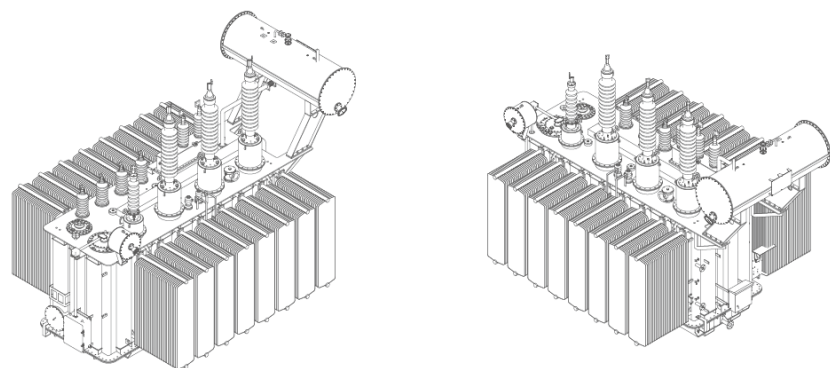
结构图

Outline Drawing



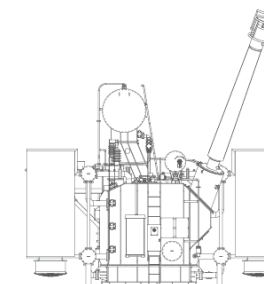
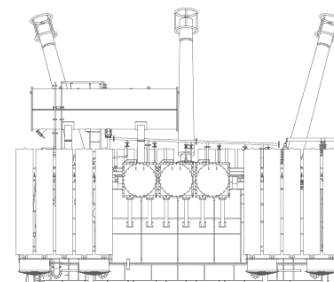
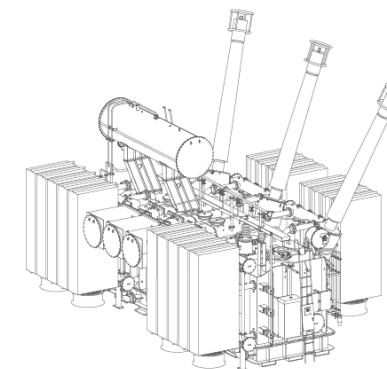
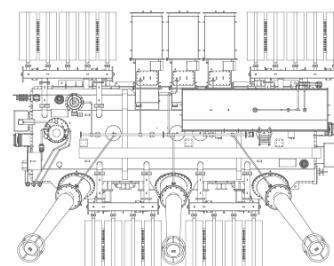
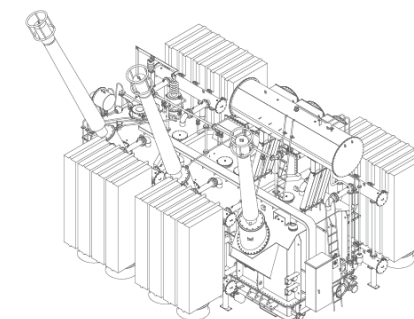
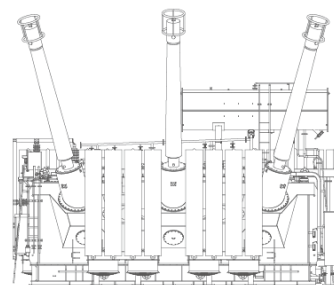
35kV变压器
35kV Transformer

结构图
Outline Drawing



110kV变压器
110kV Transformer

结构图
Outline Drawing



220-500kV变压器
220-500kV Transformer

主要技术参数
Technical Parameters

35 kV级 2 000 kV·A ~ 31 500 kV·A三相双绕组有载调压电力变压器技术数据表
35 kV 2 000 kV·A ~ 31 500 kV·A 3-phase 2-winding Power Transformer with OLTC

额定容量 Rated Capacity (kV·A)	型号 Model	额定电压 Rated Voltage (kV)			联结组 标号 Vector Group	空载损耗 No load loss (kW)	负载损耗 Load loss (kW)	空载电流 No load current (%)	短路阻抗 Short-circuit impedance (%)	重量 Weight(kg)		外形尺寸 Dimensions		轨距 Gauge
		高压 H.V	高压分接范围 Tapping range of H.V	低压 L.V						油重 Oil	总重 Total	长(L)×宽(W)×高(H)× 吊高(HL)(mm)	横向(T)× 纵向(T)(mm)	
2 000	SZ11-2 000/35	35	±3×2.5%	6.3	Yd11	2.30	19.2	0.50	6.5	1920	6770	2675×1500×3030×4500	1070×1070	
	SZ13-2 000/35					1.84								
2 500	SZ11-2 500/35	35	±3×2.5%	10.5	Yd11	2.72	20.6	0.50	6.5	2150	8140	2710×2000×3160×4700	1070×1070	
	SZ13-2 500/35					2.18								
3 150	SZ11-3 150/35	35~38.5	±3×2.5%	6.3	Yd11	3.23	24.7	0.50	7.0	2290	8380	3640×2590×2540×4000	1070×1070	
	SZ13-3 150/35					2.58								
4 000	SZ11-4 000/35	35~38.5	±3×2.5%	6.3	Yd11	3.87	29.1	0.50	7.0	2340	10330	3690×2860×2570×4000	1070×1070	
	SZ13-4 000/35					3.10								
5 000	SZ11-5 000/35	35~38.5	±3×2.5%	10.5	Yd11	4.64	34.2	0.50	7.0	2715	10890	3750×2950×2880×4300	1070×1475	
	SZ13-5 000/35					3.71								
6 300	SZ11-6 300/35	35~38.5	±3×2.5%	6.3	Yd11	5.63	36.7	0.50	8.0	3340	14590	4070×2910×2905×4400	1475×1475	
	SZ13-6 300/35					4.50								
8 000	SZ11-8 000/35	35~38.5	±3×2.5%	6.3	Yd11	7.87	40.6	0.40	8.0	4080	17880	4410×3470×2920×4500	1475×1475	
	SZ13-8 000/35					6.30								
10 000	SZ11-10 000/35	35~38.5	±3×2.5%	6.6	YNd11	9.28	48.0	0.40	8.0	4860	20940	3250×3460×4250×6100	1475×1475	
	SZ13-10 000/35					7.42								
12 500	SZ11-12 500/35	35~38.5	±3×2.5%	6.6	YNd11	10.9	56.8	0.35	8.0	5020	22300	3400×3690×4550×6400	1475×1475	
	SZ13-12 500/35					8.72								
16 000	SZ11-16 000/35	35~38.5	±3×2.5%	10.5	YNd11	13.1	70.3	0.35	8.0	6310	27240	3640×3890×4600×6800	1475×1475	
	SZ13-16 000/35					10.5								
20 000	SZ11-20 000/35	35~38.5	±3×2.5%	6.6	YNd11	15.5	82.7	0.35	8.0	7070	32530	3770×4090×4700×7100	1475×1475	
	SZ13-20 000/35					12.4								
25 000	SZ11-25 000/35	35~38.5	±3×2.5%	6.6	YNd11	18.3	97.8	0.30	10.0	8270	39240	3930×4200×5130×7300	1475×1475	
	SZ13-25 000/35					14.6								
31 500	SZ11-31 500/35	35~38.5	±3×2.5%	10.5	YNd11	21.8	116	0.30	10.0	9500	43320	4210×4450×5530×7500	2040×1475	
	SZ13-31 500/35					17.4								

注：损耗水平代号为12型的变压器，其空载损耗比 GB/T 6451 2015下降10%，负载损耗符合 GB/T 6451 - 2015；
损耗水平代号为13型的变压器，其空载损耗比 GB/T 6451 2015下降20%，负载损耗符合 GB/T 6451 - 2015。

35 kV级 630 kV·A ~ 31 500 kV·A三相双绕组无励磁调压电力变压器技术数据表
35 kV 630 kV·A ~ 31 500 kV·A 3-phase 2-winding Power Transformer with OCTC

额定容量 Rated Capacity (kV·A)	型号 Model	额定电压 Rated Voltage (kV)			联结组 标号 Vector Group	空载损耗 No load loss (kW)	负载损耗 Load loss (kW)	空载电流 No load current (%)	短路阻抗 Short-circuit impedance (%)	重量 Weight(kg)		外形尺寸 Dimensions		轨距 Gauge
		高压 H.V	高压分接范围 Tapping range of H.V	低压 L.V						油重 Oil	总重 Total	长(L)×宽(W)×高(H)× 吊高(HL)(mm)	横向(T)× 纵向(T)(mm)	
630	S11-630/35	35	±2×2.5%	3.15	Yd11	0.83	7.86	0.65	6.5	880	3540	1915×1360×2350×4100	820×820	
	S13-630/35					0.644								
800	S11-800/35	35	±2×2.5%	6.3	Yd11	0.980	9.40	0.65	6.5	1000	4000	2150×1380×2420×4150	820×820	
	S13-800/35					0.784								
1 000	S11-1 000/35	35	±2×2.5%	10.5	Yd11	1.150	11.5	0.65	6.5	1120	4540	2210×1480×2500×4200	820×850	
	S13-1 000/35					0.920								
1 250	S11-1 250/35	35	±2×2.5%	6.3	Yd11	1.40	13.9	0.55	7.0	1190	4900	2465×1550×2600×4600	1070×1070	
	S13-1 250/35					1.12								
1 600	S11-1 600/35	35	±2×2.5%	10.5	Yd11	1.69	16.6	0.45	7.0	1420	6000	2600×1620×2700×4700	1070×1070	
	S13-1 600/35					1.35								
2 000	S11-2 000/35	35~38.5	±2×2.5%	6.3	Yd11	2.17	18.3	0.45	7.0	1500	6660	2780×1850×2790×5000	1070×1070	
	S13-2 000/35					1.74								
2 500	S11-2 500/35	35~38.5	±2×2.5%	6.3	Yd11	2.56	19.6	0.45	7.0	1670	7570	2830×2000×2860×5100	1070×1070	
	S13-2 500/35					2.05								
3 150	S11-3 150/35	35~38.5	±2×2.5%	6.3	Yd11	3.01	23.0	0.45	7.0	2100	10300	2890×2340×3130×5300	1070×1275	
	S13-3 150/35					2.43								
4 000	S11-4 000/35	35~38.5	±2×2.5%	6.3	Yd11	3.61	27.3	0.45	7.0	2100	10500	2950×2780×3210×5400	1070×1275	
	S13-4 000/35					2.89								
5 000	S11-5 000/35	35~38.5	±2×2.5%	10.5	YNd11	4.32	31.3	0.45	8.0	2350	11900	3000×3050×3230×5600	1070×1275	
	S13-5 000/35					3.46								
6 300	S11-6 300/35	35~38.5	±2×2.5%	6.6	YNd11	5.24	35.0	0.45	8.0	2390	12625	3190×3200×3250×5900	1070×1275	
	S13-6 300/35					4.19								
8 000	S11-8 000/35	35~38.5	±2×2.5%	6.6	YNd11	7.20	38.4	0.35	8.0	2980	15650	3250×3280×3600×6100	1070×1275	
	S13-8 000/35					5.76								
10 000	S11-10 000/35	35~38.5	±2×2.5%	10.5	YNd11	8.70	45.3	0.35	8.0	4030	19530	3270×3460×3610×6200	1475×1475	
	S13-10 000/35					6.96								
12 500	S11-12 500/35	35~38.5	±2×2.5%	6.6	YNd11	10.0	53.8	0.30	10.0	4280	21000	3290×3680×3640×6300	1475×1475	
	S13-12 500/35					8.00								
16 000	S11-16 000/35	35~38.5	±2×2.5%	10.5	YNd11	12.1	65.8	0.30	10.0	5520	26300	3350×3960×4100×6500	1475×1475	
	S13-16 000/35					9.68								
20 000	S11-20 000/35	35~38.5	±2×2.5%	6.6	YNd11	14.4	79.5	0.30	10.0	5920	31520	3460×3980×4150×6700	1475×1475	
	S13-20 000/35					11.5								
25 000	S11-25 000/35	35~38.5	±2×2.5%	10.5	YNd11	17.0	94.0	0.25	10.0	6300	33510	4000×3640×4370×6900	1475×1475	
	S13-25 000/35					13.6								
31 500	S11-31 500/35	35~38.5	±2×2.5%	6.6	YNd11	20.2	112	0.25	10.0	6700	40125	3890×4420×4510×7300	1475×1475	
	S13-31 500/35					16.2								

注：损耗水平代号为12型的变压器，其空载损耗比 GB/T 6451 2015下降10%，负载损耗符合 GB/T 6451 - 2015；
损耗水平代号为13型的变压器，其空载损耗比 GB/T 6451 2015下降20%，负载损耗符合 GB/T 6451 - 2015。

110 kV级 6 300 kV·A ~ 180 000 kV·A三相双绕组无励磁调压电力变压器技术数据表

110 kV 6 300 kV·A ~ 180 000 kV·A 3-phase 2-winding Power Transformer with OCTC

额定容量 Rated Capacity (kV·A)	型号 Model	额定电压 Rated Voltage (kV)		联结组 标号 Vector Group	空载损耗 No load loss (kW)	负载损耗 Load loss (kW)	空载电流 No load current (%)	短路阻抗 Short-circuit impedance (%)	重量 Weight(kg)			外形尺寸 Dimensions		轨距 Gauge	
		高压 H.V	低压 L.V						油重 Oil	总重 Total	运输重 Transport	长(L)×宽(W)×高(H)× 吊高(HL)(mm)			横向(T) (mm)
												长(L)	宽(W)		
6 300	S 11-6 300/110	110±2 ×2.5%	6.3	YNd11	7.40	35.0	0.62	10.5	7500	23000	18500	4300×5320×4690×5300		1475	
8 000	S 11-8 000/110				8.90	42.0	0.62		8100	25800	21400	4450×5550×4740×5500		1475	
10 000	S 11-10 000/110				10.5	50.0	0.58		9300	30300	24000	4560×5730×4840×5800		1475	
12 500	S 11-12 500/110				12.4	59.0	0.58		10000	34300	28100	4670×5790×4830×6000		1475	
16 000	S 11-16 000/110				15.0	73.0	0.54		11000	38400	30500	4810×6120×4860×6300		2040	
20 000	S 11-20 000/110				17.6	88.0	0.54		12300	43600	35500	4820×6200×5100×6400		2040	
25 000	S 11-25 000/110				20.8	104	0.50	12600	48400	37600	4990×6330×5320×6800		2040		
31 500	S 11-31 500/110				24.6	123	0.48	14400	55000	43200	5080×6380×5360×7000		2040		
40 000	S 11-40 000/110				29.4	148	0.45	16200	64000	49000	5280×6500×5410×7300		2040		
50 000	S 11-50 000/110				35.2	175	0.42	18000	73200	57000	5320×6660×5500×7500		2040		
63 000	S 11-63 000/110				41.6	208	0.38	19800	85000	64800	5610×6760×5520×8000		2040		
75 000	S 11-75 000/110				47.2	236	0.33	21800	95000	73000	7480×6760×6000×8500		2040		
90 000	S 11-90 000/110				54.4	272	0.30	24800	105500	77500	8080×6760×6000×8500		2040		
120 000	S 11-120 000/110				67.8	337	0.27	26000	125500	89800	8560×7860×6500×8600		2040		
150 000	S 11-150 000/110				80.1	399	0.24	28800	155500	128000	8600×7860×6800×8600		2040		
180 000	S 11-180 000/110				90.0	457	0.20	31600	185500	143000	8780×7860×7100×8820		2040		

注：损耗水平代号为12型的变压器，其空载损耗比 GB/T 6451 2015下降10%，负载损耗符合 GB/T 6451 - 2015；
损耗水平代号为13型的变压器，其空载损耗比 GB/T 6451 2015下降20%，负载损耗符合 GB/T 6451 - 2015。

110 kV级 6 300 kV·A ~ 63 000 kV·A三相双绕组有载调压电力变压器技术数据表

110 kV 6 300 kV·A ~ 63 000 kV·A 3-phase 2-winding Power Transformer with OLTC

额定容量 Rated Capacity (kV·A)	型号 Model	额定电压 Rated Voltage (kV)		联结组 标号 Vector Group	空载损耗 No load loss (kW)	负载损耗 Load loss (kW)	空载电流 No load current (%)	短路阻抗 Short-circuit impedance (%)	重量 Weight(kg)			外形尺寸 Dimensions		轨距 Gauge	
		高压 H.V	低压 L.V						油重 Oil	总重 Total	运输重 Transport	长(L)×宽(W)×高(H)× 吊高(HL)(mm)			横向(T) (mm)
												长(L)	宽(W)		
6 300	SZ 11-6 300/110	110±8 ×1.25%	6.6	YNd11	8.00	35.0	0.64	10.5	7500	23400	18800	4300×5520×4690×5300		1475	
8 000	SZ 11-8 000/110				9.60	42.0	0.64		8100	26300	21800	4450×5750×4740×5500		1475	
10 000	SZ 11-10 000/110				11.3	50.0	0.59		9300	30900	24500	4560×5930×4830×5800		1475	
12 500	SZ 11-12 500/110				13.4	59.0	0.59		10200	35000	28800	4670×5990×4840×6000		1475	
16 000	SZ 11-16 000/110				16.1	73.0	0.55		11200	39200	31300	4810×6320×4860×6300		2040	
20 000	SZ 11-20 000/110				19.2	88.0	0.55		12600	44500	36400	4820×6400×5100×6400		2040	
25 000	SZ 11-25 000/110				22.7	104	0.51	12900	49400	38600	4990×6530×5320×6800		2040		
31 500	SZ 11-31 500/110				27.0	123	0.51	14700	56000	44200	5080×6580×5360×7000		2040		
40 000	SZ 11-40 000/110				32.3	156	0.46	16700	65000	50200	5280×6700×5410×7300		2040		
50 000	SZ 11-50 000/110				38.2	194	0.46	18500	74600	58500	5320×6860×5500×7500		2040		
63 000	SZ 11-63 000/110				45.2	232	0.42	20300	86600	66500	5610×6960×5520×8000		2040		

注：损耗水平代号为12型的变压器，其空载损耗比 GB/T 6451 2015下降10%，负载损耗符合 GB/T 6451 - 2015；
损耗水平代号为13型的变压器，其空载损耗比 GB/T 6451 2015下降20%，负载损耗符合 GB/T 6451 - 2015。

110 kV级 6 300 kV·A ~ 63 000 kV·A三相三绕组有载调压电力变压器技术数据表

110 kV 6 300 kV·A ~ 63 000 kV·A 3-phase 3-winding Power Transformer with OLTC

额定容量 Rated Capacity (kV·A)	型号 Model	额定电压 Rated Voltage (kV)			联结组 标号 Vector Group	空载损耗 No load loss (kW)	负载损耗 Load loss (kW)	空载电流 No load current (%)	短路阻抗 Short-circuit impedance (%)	重量 Weight(kg)			外形尺寸 Dimensions		轨距 Gauge	
		高压 H.V	中压 M.V	低压 L.V						油重 Oil	总重 Total	运输重 Transport	长(L)×宽(W)×高(H)× 吊高(HL)(mm)			横向(T) (mm)
													长(L)	宽(W)		
6 300	SSZ 11-6 300/110	110±8 ×1.25%	36	6.6	Yyn0d11	9.60	44.0	0.76	高-中 10.5 高-低 18-19 中-低 6.5	8900	30700	23100	4370×6750×4710×5800		2040	
8 000	SSZ 11-8 000/110					11.5	53.0	0.76		10300	34500	26600	4420×6780×4760×5900		2040	
10 000	SSZ 11-10 000/110					13.6	62.0	0.71		11400	37400	29600	4530×6780×4850×6000		2040	
12 500	SSZ 11-12 500/110					16.1	74.0	0.71		12800	44000	34200	4670×6890×4880×6400		2040	
16 000	SSZ 11-16 000/110					19.3	90.0	0.67		13900	50600	39800	4750×6990×4970×6800		2040	
20 000	SSZ 11-20 000/110					22.8	106	0.67		14500	53300	41600	4800×7150×5130×7000		2040	
25 000	SSZ 11-25 000/110					27.0	126	0.62		15900	59800	46500	4960×7170×5300×7200		2040	
31 500	SSZ 11-31 500/110					32.1	149	0.62		17700	69000	53200	5040×7320×5390×7400		2040	
40 000	SSZ 11-40 000/110					38.5	179	0.58		21100	83000	64800	5380×7430×5580×7800		2040	
50 000	SSZ 11-50 000/110					45.5	213	0.58		24200	97600	77000	5440×7750×5620×8000		2040	
63 000	SSZ 11-63 000/110					54.1	256	0.53		25500	108600	86000	5720×7810×5740×8100		2040	

注：损耗水平代号为12型的变压器，其空载损耗比 GB/T 6451 2015下降10%，负载损耗符合 GB/T 6451 - 2015；
损耗水平代号为13型的变压器，其空载损耗比 GB/T 6451 2015下降20%，负载损耗符合 GB/T 6451 - 2015。

220 kV级 31 500 kV·A ~ 420 000 kV·A三相双绕组无励磁调压电力变压器技术数据表

220 kV 31 500 kV·A ~ 420 000 kV·A 3-phase 2-winding Power Transformer with OCTC

额定容量 Rated Capacity (kV·A)	型号 Model	额定电压 Rated Voltage (kV)		联结组 标号 Vector Group	空载损耗 No load loss (kW)	负载损耗 Load loss (kW)	空载电流 No load current (%)	短路阻抗 Short-circuit impedance (%)
		高压 H.V	低压 L.V					
31 500	S 11-31 500/220	242±2×2.5%	6.3	YNd11	28.0	128	0.56	12~14
40 000	S 11-40 000/220				32.0	149	0.56	
50 000	S 11-50 000/220				39.0	179	0.52	
63 000	S 11-63 000/220				46.0	209	0.52	
75 000	S 11-75 000/220				53.0	237	0.48	
90 000	S 11-90 000/220				61.0	273	0.44	
120 000	S 11-120 000/220				75.0	338	0.44	
150 000	S 11-150 000/220				89.0	400	0.40	
160 000	S 11-160 000/220				93.0	420	0.39	
180 000	S 11-180 000/220				102	459	0.36	
240 000	S 11-240 000/220				128	538	0.33	
300 000	S 11-300 000/220				151	641	0.30	
360 000	S 11-360 000/220				173	735	0.30	
370 000	S 11-370 000/220				176	750	0.30	
400 000	S 11-400 000/220				187	795	0.28	
420 000	S 11-420 000/220				193	824	0.28	

注：损耗水平代号为12型的变压器，其空载损耗比 GB/T 6451 2015下降10%，负载损耗符合 GB/T 6451 - 2015；
损耗水平代号为13型的变压器，其空载损耗比 GB/T 6451 2015下降20%，负载损耗符合 GB/T 6451 - 2015。

220 kV级 31 500 kV·A ~ 300 000 kV·A三相三绕组无励磁调压电力变压器技术数据表

220 kV 31 500 kV·A ~ 300 000 kV·A 3-phase 3-winding Power Transformer with OCTC

额定容量 Rated Capacity (kV·A)	型号 Model	额定电压 Rated Voltage (kV)			联结组标号 Vector Group	空载损耗 No load loss (kW)	负载损耗 Load loss (kW)	空载电流 No load current (%)	短路阻抗 Short-circuit impedance (%)	
		高压 (kV) H.V	中压 M.V. (kV)	低压 (kV) L.V					升压 Step up	降压 Step down
40 000	SS 11-40 000/220	38.0	183	0.50						
50 000	SS 11-50 000/220	44.0	216	0.44						
63 000	SS 11-63 000/220	52.0	257	0.44						
90 000	SS 11-90 000/220	68.0	333	0.39						
120 000	SS 11-120 000/220	84.0	410	0.39						
150 000	SS 11-150 000/220	100	487	0.33						
180 000	SS 11-180 000/220	113	555	0.33						
240 000	SS 11-240 000/220	140	684	0.28						
300 000	SS 11-300 000/220	166	807	0.24						

注：损耗水平代号为12型的变压器，其空载损耗比 GB/T 6451 2015下降10%，负载损耗符合 GB/T 6451 - 2015；
损耗水平代号为13型的变压器，其空载损耗比 GB/T 6451 2015下降20%，负载损耗符合 GB/T 6451 - 2015。

220 kV级 31 500 kV·A ~ 240 000 kV·A低压为66 kV级三相双绕组无励磁调压电力变压器技术数据表

220 kV 31 500 kV·A ~ 240 000 kV·A Low Voltage 66 kV 3-phase 2-winding Power Transformer with OCTC

额定容量 Rated Capacity (kV·A)	型号 Model	额定电压 Rated Voltage (kV)		联结组标号 Vector Group	空载损耗 No load loss (kW)	负载损耗 Load loss (kW)	空载电流 No load current (%)	短路阻抗 Short-circuit impedance (%)
		高压 (kV) H.V	低压 (kV) L.V					
31 500	S 11-31 500/220	220±2×2.5%	63	YNd11	30.0	143	0.71	12~14
40 000	S 11-40 000/220				36.0	167	0.71	
50 000	S 11-50 000/220				42.0	200	0.65	
63 000	S 11-63 000/220				50.0	234	0.65	
90 000	S 11-90 000/220				66.0	306	0.60	
120 000	S 11-120 000/220				81.0	367	0.60	
150 000	S 11-150 000/220				97.0	430	0.54	
180 000	S 11-180 000/220				110	487	0.54	
240 000	S 11-240 000/220				136	603	0.48	

注：损耗水平代号为12型的变压器，其空载损耗比 GB/T 6451 2015下降10%，负载损耗符合 GB/T 6451 - 2015；
损耗水平代号为13型的变压器，其空载损耗比 GB/T 6451 2015下降20%，负载损耗符合 GB/T 6451 - 2015。

220 kV级 31 500 kV·A ~ 240 000 kV·A三相三绕组无励磁调压自耦电力变压器技术数据表

220 kV 31 500 kV·A ~ 240 000 kV·A 3-phase 3-winding Power Transformer with OCTC

额定容量 Rated Capacity (kV·A)	型号 Model	额定电压 Rated Voltage (kV)			联结组标号 Vector Group	升压组合			降压组合			短路阻抗 Short-circuit impedance (%)	
		高压 (kV) H.V	中压 M.V. (kV)	低压 (kV) L.V		空载 损耗 No load loss (kW)	负载 损耗 Load loss (kW)	空载 电流 No load current (%)	空载 损耗 No load loss (kW)	负载 损耗 Load loss (kW)	空载 电流 No load current (%)	升压 Step up	降压 Step down
40 000	OSS 11-40 000/220	23.0	136	0.45	20.0	114	0.40						
50 000	OSS 11-50 000/220	27.0	161	0.40	24.0	136	0.34						
63 000	OSS 11-63 000/220	32.0	190	0.40	28.0	162	0.34						
90 000	OSS 11-90 000/220	40.0	262	0.34	36.0	222	0.28						
120 000	OSS 11-120 000/220	49.0	323	0.34	44.0	273	0.28						
150 000	OSS 11-150 000/220	58.0	384	0.28	52.0	324	0.26						
180 000	OSS 11-180 000/220	67.0	439	0.28	60.0	367	0.26						
240 000	OSS 11-240 000/220	79.0	545	0.26	71.0	478	0.20						

升压结构的容量分配为 (100/50/100) %，降压结构的容量分配为 (100/100/50) %。

注：损耗水平代号为12型的变压器，其空载损耗比 GB/T 6451 2015下降10%，负载损耗符合 GB/T 6451 - 2015；
损耗水平代号为13型的变压器，其空载损耗比 GB/T 6451 2015下降20%，负载损耗符合 GB/T 6451 - 2015。

220 kV级 31 500 kV·A ~ 240 000 kV·A三相三绕组有载调压电力变压器技术数据表

220 kV 31 500 kV·A ~ 240 000 kV·A 3-phase 3-winding Auto Power Transformer with OLTC

额定容量 Rated Capacity (kV·A)	型号 Model	额定电压 Rated Voltage (kV)			联结组标号 Vector Group	空载损耗 No load loss (kW)	负载损耗 Load loss (kW)	空载电流 No load current (%)	容量分配 Capacity allocation (%)	短路阻抗 Short-circuit impedance (%)
		高压 (kV) H.V	中压 M.V. (kV)	低压 (kV) L.V						
31 500	SSZ 11-31 500/220	220±8 ×1.25%	69	115	YNyn0d11	35.0	153	0.63	100/100/ 100/100/ 50/100/ 100/100/ 50	高-中 HV-MV 12~14 高-低 HV-LV 22~24 中-低 MV-LV 7~9
40 000	SSZ 11-40 000/220					41.0	183	0.60		
50 000	SSZ 11-50 000/220					48.0	216	0.60		
63 000	SSZ 11-63 000/220					56.0	257	0.55		
90 000	SSZ 11-90 000/220					73.0	333	0.44		
120 000	SSZ 11-120 000/220					92.0	410	0.44		
150 000	SSZ 11-150 000/220					108	487	0.39		
180 000	SSZ 11-180 000/220					124	598	0.39		
240 000	SSZ 11-240 000/220					154	741	0.35		

注：损耗水平代号为12型的变压器，其空载损耗比 GB/T 6451 2015下降10%，负载损耗符合 GB/T 6451 - 2015；
损耗水平代号为13型的变压器，其空载损耗比 GB/T 6451 2015下降20%，负载损耗符合 GB/T 6451 - 2015。

220 kV级 31 500 kV·A ~ 240 000 kV·A三相三绕组有载调压自耦电力变压器技术数据表
220 kV 31 500 kV·A ~ 240 000 kV·A 3-phase 3-winding Auto Power Transformer with OLTC

额定容量 Rated Capacity (kV·A)	型号 Model	额定电压 Rated Voltage (kV)			联结组标号 Vector Group	空载损耗 No load loss (kW)	负载损耗 Load loss (kW)	空载电流 No load current (%)	容量分配 Capacity allocation (%)	短路阻抗 Short-circuit impedance (%)
		高压 (kV) H.V	中压 M.V. (kV)	低压 (kV) L.V						
31 500	OSSZ 11-31 500/220	220±8 ×1.25%	115	6.3	YNa0d11	20.0	102	0.44	100/100 /50	高-中 HV-MV 8~11 高-低 HV-LV 28~34 中-低 MV-LV 18~24
40 000	OSSZ 11-40 000/220			6.6		24.0	125	0.44		
50 000	OSSZ 11-50 000/220			10.5		28.0	149	0.39		
63 000	OSSZ 11-63 000/220			21		33.0	179	0.39		
90 000	OSSZ 11-90 000/220			36		40.0	234	0.33		
120 000	OSSZ 11-120 000/220			37		51.0	292	0.33		
150 000	OSSZ 11-150 000/220			38.5		60.0	346	0.28		
180 000	OSSZ 11-180 000/220			21		68.0	398	0.28		
240 000	OSSZ 11-240 000/220			37		83.0	513	0.24		
				230±8 ×1.25%		121	10.5			

注：损耗水平代号为12型的变压器，其空载损耗比 GB/T 6451 2015下降10%，负载损耗符合 GB/T 6451 - 2015；
损耗水平代号为13型的变压器，其空载损耗比 GB/T 6451 2015下降20%，负载损耗符合 GB/T 6451 - 2015。

500 kV级 250 MV·A ~ 400 MV·A单相三绕组有载调压自耦电力变压器技术数据表（中压线端调压）
500kV 250 MV·A ~ 400 MV·A Single-phase 3-winding Auto Power Transformer with OLTC(Intermediate Voltage Line Terminal Regulating)

额定容量 Rated Capacity (MV·A)	型号 Model	额定电压 Rated Voltage (kV)			联结组标号 Vector Group	空载损耗 No load loss (kW)	负载损耗 Load loss (kW)	空载电流 No load current (%)	短路阻抗 Short-circuit impedance (%)	容量分配 (MV·A)	
		高压 (kV) H.V	(kV)	低压 (kV) L.V							
250	ODSZ 11-250000/550	500/√3 520/√3 550/√3	230/√3 ±8x 1.25%	35	Ia0i0	85.0	380	0.15	高-中 HV-MV 12 高-低 HV-LV 34~38 中-低 MV-LV 20~22	250/250/40 250/250/80 334/334/100 400/400/120	
334	ODSZ 11-334000/550					110	490	0.10			
400	ODSZ 11-400000/550					150	560	0.10			
250	ODSZ 11-250000/550					36	85.0	405	0.15	高-中 HV-MV 12 高-低 HV-LV 42~46 中-低 MV-LV 28~30	250/250/60 250/250/80 334/334/80 334/334/100
334	ODSZ 11-334000/550					37	110	530	0.10		
400	ODSZ 11-400000/550					38.5	130	610	0.10		
250	ODSZ 11-250000/550					63	85.0	405	0.15	高-中 HV-MV 14~15 高-低 HV-LV 42~48 中-低 MV-LV 28~30	250/250/80 334/334/80 334/334/100 400/400/120
334	ODSZ 11-334000/550					66	110	530	0.10		
400	ODSZ 11-400000/550						130	610	0.10		

330 kV级 90 000 kV·A ~ 720 000 kV·A三相双绕组无励磁调压电力变压器技术数据表
330 kV级 90 000 kV·A ~ 720 000 kV·A 3-phase 2-winding Power Transformer with OCTC

额定容量 Rated Capacity (kV·A)	型号 Model	额定电压 Rated Voltage (kV)		联结组标号 Vector Group	空载损耗 No load loss (kW)	负载损耗 Load loss (kW)	空载电流 No load current (%)	短路阻抗 Short-circuit impedance (%)		
		高压 (kV) H.V	低压 (kV) L.V							
90 000	S 11-90 000/330	345 345±2×2.5%	10.5	YNd11	68.0	274	0.44	14~15		
120 000	S 11-120 000/330				85.0	340	0.44			
150 000	S 11-150 000/330				101	402	0.41			
180 000	S 11-180 000/330				116	461	0.38			
240 000	S 11-240 000/330				13.8	145	572		0.34	
360 000	S 11-360 000/330				15.75	198	802		0.34	
370 000	S 11-370 000/330				18	202	818		0.30	
400 000	S 11-400 000/330				20	214	867		0.30	
720 000	S 11-720 000/330				363±2×2.5%		332		1347	0.20

500 kV级 250 MV·A ~ 400 MV·A单相三绕组无励磁调压自耦电力变压器技术数据表（中压线端调压）
500kV 250 MV·A ~ 400 MV·A Single-phase 3-winding Power Transformer with OLTC(Intermediate Voltage Line Terminal Regulating)

额定容量 Rated Capacity (MV·A)	型号 Model	额定电压 Rated Voltage (kV)			联结组标号 Vector Group	空载损耗 No load loss (kW)	负载损耗 Load loss (kW)	空载电流 No load current (%)	短路阻抗 Short-circuit impedance (%)	容量分配 (MV·A)	
		高压 (kV) H.V	(kV)	低压 (kV) L.V							
250	ODS 11-250000/550	500/√3 520/√3 550/√3	230/√3 (±2x 2.5%)	35	Ia0i0	85.0	370	0.15	高-中 HV-MV 12 高-低 HV-LV 34~38 中-低 MV-LV 20~22	250/250/60 250/250/80 334/334/100 400/400/120	
334	ODS 11-334000/550					105	475	0.10			
400	ODS 11-400000/550					120	545	0.10			
250	ODS 11-250000/550					36	85.0	395	0.15	高-中 HV-MV 12 高-低 HV-LV 42~46 中-低 MV-LV 28~30	250/250/60 250/250/80 334/334/80 334/334/100
334	ODS 11-334000/550					37	105	510	0.10		
400	ODS 11-400000/550					38.5	120	580	0.10		
250	ODS 11-250000/550					63	85.0	395	0.15	高-中 HV-MV 14~15 高-低 HV-LV 42~46 中-低 MV-LV 28~30	250/250/80 334/334/80 334/334/100 400/400/120
334	ODS 11-334000/550					66	105	510	0.10		
400	ODS 11-400000/550						120	580	0.10		

500 kV级 250 MV·A ~ 1 170 MV·A三相双绕组无励磁调压电力变压器技术数据表

500 kV 250 MV·A ~ 1170 MV·A 3-phase 2-winding Power Transformer with OCTC

额定容量 Rated Capacity (MV·A)	型号 Model	额定电压 Rated Voltage (kV)		联结组标号 Vector Group	空载损耗 No load loss (kW)	负载损耗 Load loss (kW)	空载电流 No load current (%)	短路阻抗 Short-circuit impedance (%)
		高压 (kV) H.V	低压 (kV) L.V					
240	S 11-240 000/550	500	13.8/15.75	YNd11	125	665	0.20	14
300	S 11-300 000/550		13.8/15.75/18		145	785	0.20	
370	S 11-370 000/550		15.75/18/20		170	900	0.15	
400	S 11-400 000/550		18/20/24		175	950	0.15	
420	S 11-420 000/550		15.75/18/20		185	955	0.15	14或16
480	S 11-480 000/550		15.75/18/20		200	1060	0.15	
600	S 11-600 000/550		15.75/18/20/24		260	1335	0.15	
720	S 11-720 000/550		18/20/24		305	1535	0.10	
750	S 11-750 000/550		20/22		315	1580	0.10	16或18
780	S 11-780 000/550		22		320	1630	0.10	
860	S 11-860 000/550		22		345	1750	0.10	
1140	S 11-1 140 000/550		27		430	2165	0.10	
1170	S 11-1 170 000/550		27		440	2200	0.10	

500 kV级 260 MV·A ~ 484 MV·A单相双绕组无励磁调压电力变压器技术数据表

500 kV 260 MV·A ~ 484 MV·A Single-phase 2-winding Power Transformer with OCTC

额定容量 Rated Capacity (MV·A)	型号 Model	额定电压 Rated Voltage (kV)		联结组标号 Vector Group	空载损耗 No load loss (kW)	负载损耗 Load loss (kW)	空载电流 No load current (%)	短路阻抗 Short-circuit impedance (%)	
		高压 (kV) H.V	低压 (kV) L.V						
260	D 11-260000/550	500/ $\sqrt{3}$ 525/ $\sqrt{3}$ 535/ $\sqrt{3}$ 550/ $\sqrt{3}$	18/20	ii0	140	460	0.15	14	
380	D 11-380000/550		24/27			186	610	0.15	16或18
400	D 11-400000/550					193	633	0.15	
410	D 11-410000/550					197	645	0.15	
484	D 11-484000/550					223	730	0.15	

说明：钱江电气可为用户特殊设计技术参数不同于上表的产品，重量及外形尺寸以用户最终确认为准。

Notes: Specification different from above listed product is available, weight and dimensions are subject to final user confirmation

产品应用领域

Applications

目前，35kV变压器一般适用于线路的配电变压器，110kV~550kV变压器适用于输电线路的变电工程中，可作为升压变压器或降压变压器，同时也有许多大型用电企业，选用高压变压器作为用户变压器，使得该系列变压器应用领域也更加宽阔，如各类发电工程，铁路工程，大型企业的电气用电工程等等。

35kV transformer is generally applicable to the distribution line at present, the 110kV~550kV transformer is suitable for the transmission line project, it can be used as a step-up transformer or a step-down transformer, there are also many large power enterprises, which use high voltage transformers as aux transformers, which makes the application field of this transformer much wider, such as various power generation projects, railway engineering, electrical power engineering for large enterprises and so on.